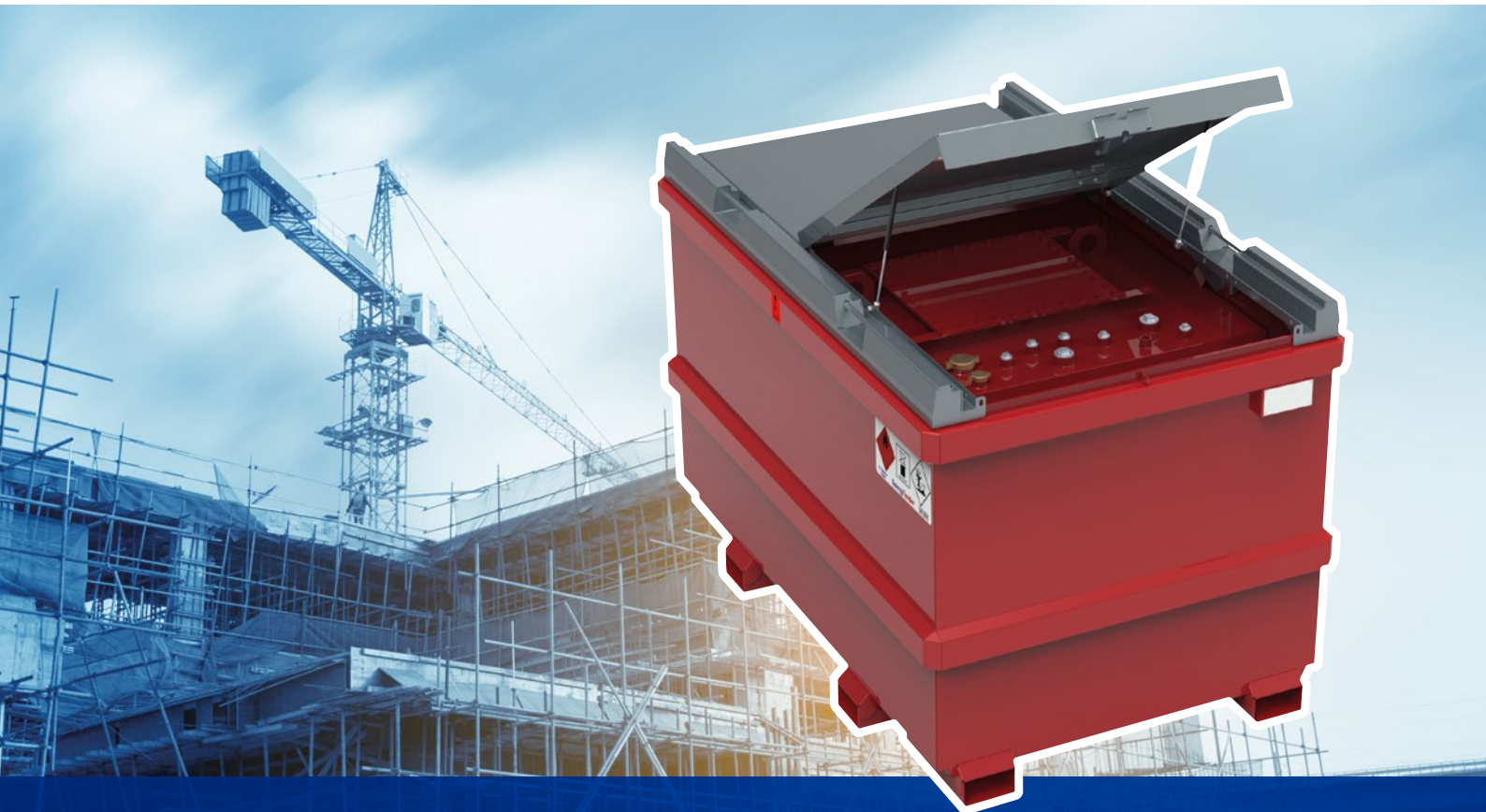


Keep on moving: new **EnergyTender+** for a changing world

Cleverly designed down to the finest detail

ÄlvestadTanken

- Proffs på miljösäker förvaring -



Tolsma EnergyTender+
The reliable energy source for every
location: Keep on moving!

 **Tolsma
Tanks**

**The EnergyTender+ has a unique set of functions.
The design is well thought-out down to the finest detail.
The focus is on the practical side: safe to use and easy to
move, stack or protect against theft – all of these functions
are incorporated into this design.**

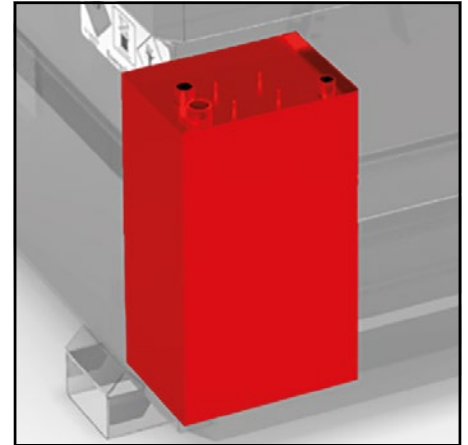
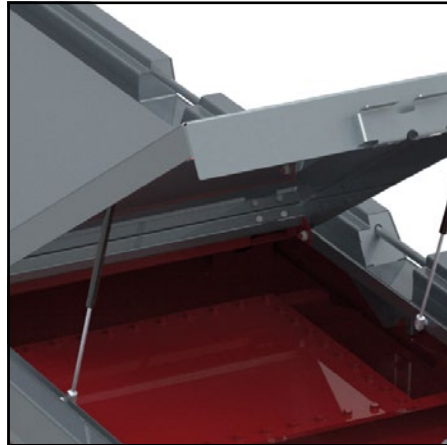
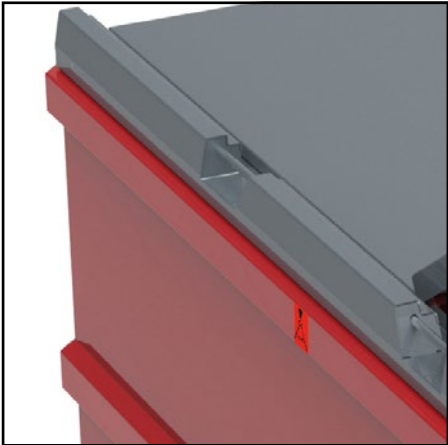
The new EnergyTender+ is a new standard for fuel storage on site.
Wherever it is located.

The perfect example of excellent engineering, built for a long
working life.

Functions:

- compact structure with extensive storage capacity
- robust design with no fragile hoisting eyes
- easier than ever to move
- thanks to box girders on all sides
- and recesses for hoisting rods in the stacking profile
- with a sunken lid
- which makes it easy to protect against theft
- and to stack
- durably galvanised stacking profile and lid
- body finishing in every possible house colour.

What makes the new EnergyTender+ so unique?



1 **The strong stacking profiles on top of the tank protect the lid.** Thanks to the horizontal structure and solid construction, another EnergyTender+ can easily be placed on top of the tank. Even if it has a different, larger or smaller capacity.

It is also possible to park an excavator bucket or other equipment on the tank, which is also an excellent way of preventing theft.

2 **The solid lid protects the interior of the tank.** It is manufactured from galvanised steel, so it matches the finishing of the stacking profiles. This also means it complies with the strictest user requirements and is immune to surface damage.

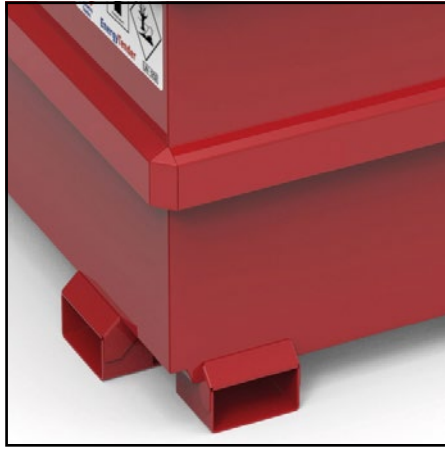
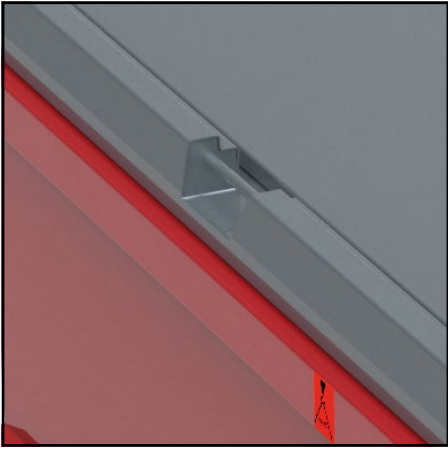
3 **It is possible to place a 60L or 200L AdBlue tank (stainless steel),** depending on the type. For every capacity and intended use, a matching pump set can be mounted in the factory. Tolsma Tanks can deliver all of its tanks fully assembled: plug and play!



The HiCube is extra high so that it occupies less floor space. For easy access, we've developed an integrated step.

The body of the EnergyTender can be sprayed in every possible RAL colour.

What makes the new EnergyTender+ so unique?



4 The four recesses in the stacking profiles are fitted with hoisting rods that make it easy to safely and evenly hoist the EnergyTender+. With no loss of time. So no more fragile protruding hoisting eyes – just top-of-the-range hoisting efficiency. If the tank needs to be moved frequently, you can ask us to mount the Tolsma Teckel; this is a hoisting aid that in no way impedes the use of the tank but does make it extra easy to lift it safely and quickly.

5 Every EnergyTender+ is fitted with crosswise box girders on all sides that make it possible to access and move the IBC from every direction. Or to stack it on top of another EnergyTender. The body of the EnergyTender can be paint-sprayed in every possible RAL colour and, where relevant, fitted with logo stickers so that the tank perfectly matches your house style.

6 New in Tolsma Tanks' already extensive product range: the 3000 CL. The abbreviation stands for Compact Low. This tank is built extra wide while preserving the usual height of the other EnergyTenders. This variant is the perfect solution for users who want to combine a large capacity with a height that makes the tank easy to access. The volume of the CL is the same as that of the other exception in the product range, the HiCube.

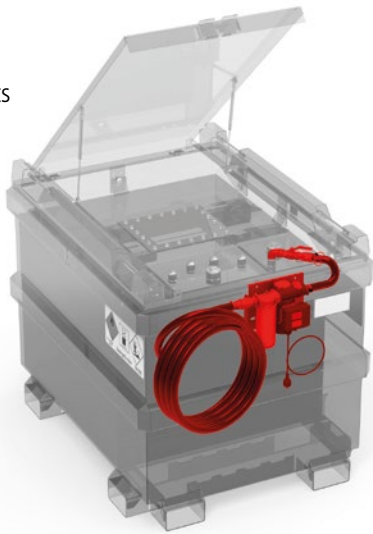


Company colours

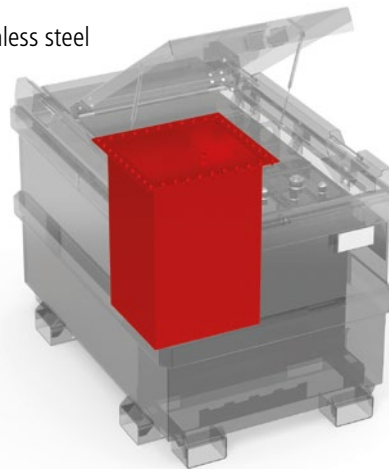
Tolsma Tanks would be happy to varnish your tank in your company colours. The finishing touch is achieved with logo stickers and/or texts. The tank will perfectly match your corporate identity and the Energy Tender+ will be an attractive 3-dimensional calling card along the public road or on your outdoor premises.

What makes the new EnergyTender+ so unique?

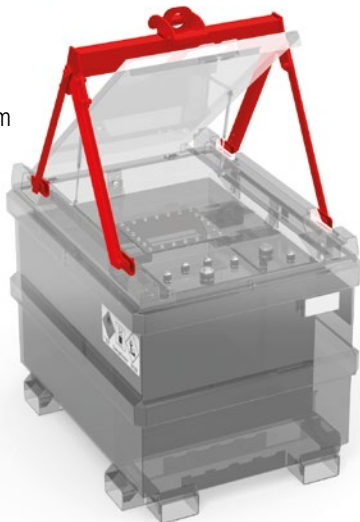
Variety of pump sets



AdBlue stainless steel inner tank



Tolsma Teckel rocker arm



On trailer



Why would you be satisfied with fewer functions?

For the various models, Tolsma Tanks has pump sets that perfectly match both the capacity and the intended use of the relevant tank.

As well as double pump sets for the combination with AdBlue, for example. Tolsma Tanks can supply a system in which all the parts are perfectly attuned to each other. With superior ease of use as a result.

The Tolsma Teckels make it easier than ever to lift and move fuel tanks, and, depending on the model, they also include anti-theft security.

A different way of moving tanks: in the factory, the tank is mounted on an undercarriage for slow or rapid transport. The single-axle or tandem-axle trailer is specially designed to be combined with the EnergyTenders. Tank and trailer create a balanced whole.

Product overview



	Volume (litres)	Length (mm)	Width (mm)	Height (mm)	Weight (kg)
1) EnergyTender+ 500	500L	1205	1192	1054	347
2) EnergyTender+ 700	700L	1440	1192	1054	395
3) EnergyTender+ 995	995L	1560	1192	1260	481
4) EnergyTender+ 1150	1150L	1736	1192	1260	553
5) EnergyTender+ 1600	1600L	2276	1192	1260	695
6) EnergyTender+ 2200	2200L	2306	1192	1510	785
7) EnergyTender+ 3000	3000L	3086	1192	1510	977
8) EnergyTender+ 3000CL	3000L	2306	1512	1510	917
9) EnergyTender+ 3000HC	3000L	2306	1192	1810	917

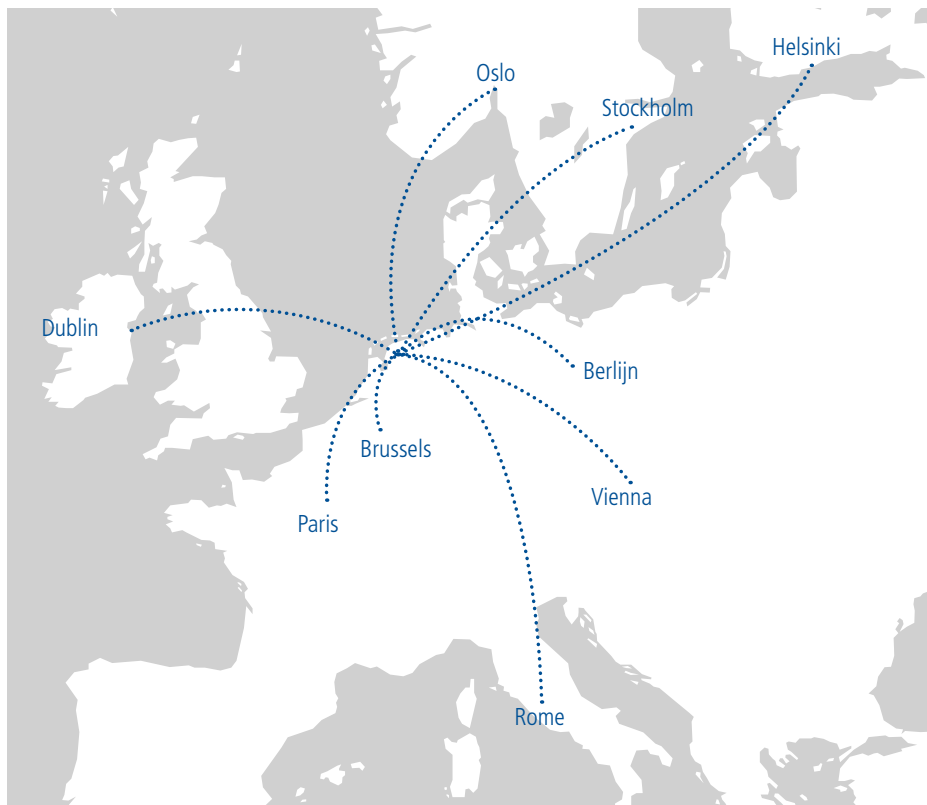
Possibility to build in an AdBlue tank: 995/60L, a 200L AdBlue tank fits in the 1150, 1600, 2200 and 3000L.

Tolsma Tank Talent

Tolsma not only builds the most user-friendly fuel tanks, it also designs and builds accessories that make the tanks even more efficient, such as our Teckels (hoisting frame), trailers for slow or rapid transport, stairs and landings.

We invented the modern IBC, designed the first stackable tanks and also developed many more new ideas based on our observations of everyday practice. Always looking closely at how our customers use our products and then giving them new meaning on the drawing table. This working method enables us to build tanks that meet the needs of the users even more effectively. Every new design is the logical consequence of observing how our products are used in practice and looking for possible improvements.

Because the slogan also applies to us: Keep on moving!



More capacities, in every sense of the word: Tolsma Tanks. Also internationally.

ÄlvestadTanken

- Proffs på miljösäker förvaring -



If you are interested in our other capacities, please choose one of the following folders:

