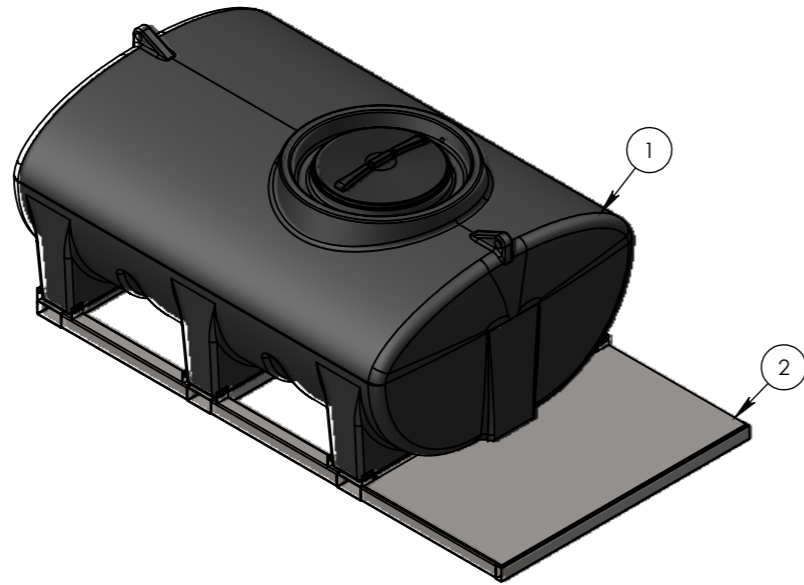
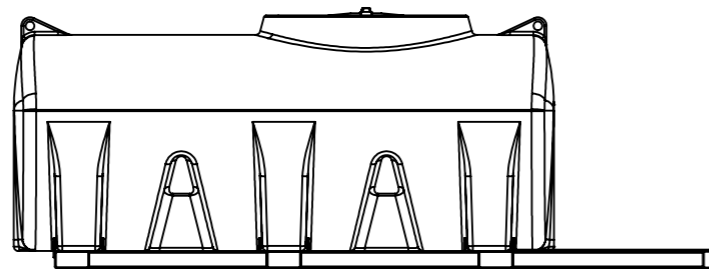


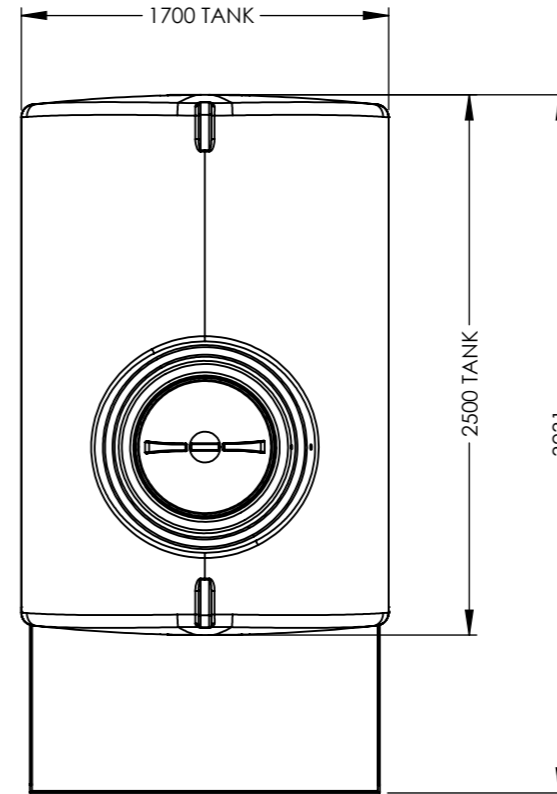
ITEM NO.	PART NUMBER	DESCRIPTION	QTY.
1	171030	3000L HORIZONTAL TRANSPORT TANK	1
2	198530	3000-5000 SKID FRAME W/ PUMP PLATE	1



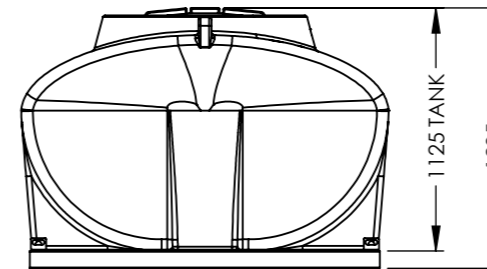
LEFT ISO VIEW



LEFT VIEW



PLAN VIEW



FRONT VIEW

DESIGN DATA

DESIGN PRESSURE: ATMOSPHERIC	MAXIMUM CAPACITY (LTRS):
DESIGN TEMPERATURE: 40°C	WORKING CAPACITY (LTRS):
WORKING PRESSURE: ATMOSPHERIC	APPROX. WEIGHT FULL (KGS):
WORKING TEMPERATURE: 40°C	APPROX. WEIGHT EMPTY (KGS):
MOULDED LIFTING LUGS: 4 - 0°, 90°, 180° & 270°	
METHOD OF SUPPORT: FIRM, FLAT, FULLY SUPPORTING BASE OF CONCRETE OR OTHER SUITABLE MATERIAL	

MATERIAL DATA

MATERIALS OF CONSTRUCTION:  
 MATRIX REVOLVE N-307. REVOLVE IS A HIGH DENSITY (0.939 g/cm3), LOW MELT (3.5 g/ 10 min) HEXENE POLYETHYLENE GRADE FOR ROTOMOULDING. THE GRADE IS FULLY PROTECTED AGAINST THERMAL AND LIGHT DEGRADATION: N-307 IS UV10 STABILISED.

INSPECTION AND TESTING

WORKS TEST: ALL TANKS ARE THICKNESS TESTED BY ULTRASOUND AFTER DEMOULD. IN ADDITION, AIR SUPPORTED LEAK TEST ARE CARRIED OUT ON FLANGE LINES.

NOTE SECTION

	NAME	SIGNATURE	DATE
DRAWN	LC	L.Crane	23/08/2022
CHECKED			

UNLESS OTHERWISE SPECIFIED:  
 DIMENSIONS ARE IN MILLIMETERS  
 SURFACE FINISH: MDPE  
 TOLERANCES: ±3%



3RD ANGLE PROJECTION

DO NOT SCALE DRAWING REVISION: -

**ÄlvestadTanken**  
 - Proffs på miljösäker förvaring -

DWG TITLE:  
 3000L HORIZONTAL TANK - SKID FRAME W/ PUMP PLATE

DWG NO: 171030-3000L-TRANSPORT-SKID-PP A3

SCALE: 1:35 SHEET 1 OF 1